

## FEATURES

- GBS delivers long cycle life and prolong life in elevated ambient temperatures.
- The generated heat can easy flow to the case walls because the whole volume of the cell is filled with gel.
- The immobilization of the electrolyte in the gel makes acid stratification impossible.
- Maintenance free(no water topping-up required).
- Low self-discharge rate, lower than 2% capacity loss per month.
- A small distribution of the special valve opening and closing pressure is important for a good (cycle) life time of the battery.

## APPLICATION

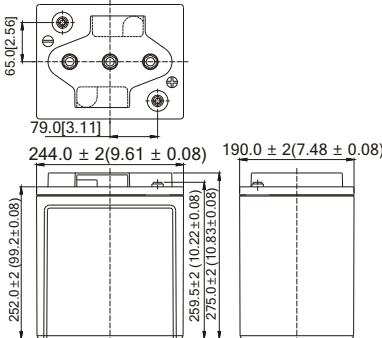
- Solar power stations
- Telecommunications installations
- Traffic lights
- Street lightening
- Wind power

## SPECIFICATIONS

Nominal Voltage	6 V
Nominal Capacity	215Ah @ 100 hour rate F.V.(1.80V/cell)
Approx. Weight	32800g(72.31lbs.)
Terminals	I3(I4 is optional)
Internal Resistance	≤2mΩ (Fully Charged )
Max. Discharge Current	800 A (5 sec.)
Max. Charge Current	43.0 A
Operating Temperature Range	-20°C~55°C(-4°F~131°F)
Container Material	Standard: ABS( UL 94-HB) GBS 6/215 Optional: Flame Retardant ABS(UL 94-V0) GBS 6/215FR



- IEC 61427-2005
- GB/T 22473-2008

DIMENSION(mm/inch)	OUTER DIMENSIONS	TERMINAL TYPE
<ul style="list-style-type: none"> <li>■ <b>Length</b> 244.0±2(9.61±0.06)</li> <li>■ <b>Width</b> 190.0±2(7.48±0.06)</li> <li>■ <b>Container Height</b> 275.0±2(10.83±0.06)</li> <li>■ <b>Total Height</b> 275.0±2(10.83±0.06)</li> </ul>		<ul style="list-style-type: none"> <li>● Terminal I3 M8x1.25 7.5(0.30) 2.8(0.11) [M8 BOLT]</li> <li>● Terminal I4 M10x1.5 7.5(0.30) 2.8(0.11) [M10 BOLT]</li> </ul> <p>Terminal Hardware Initial Torque: I3(10.0Nm±5%)</p>

### Constant power discharge characteristics at 25 °C/77 °F Unit: W

F.V. (V/cell) \ Discharge Time	1 Hr	3 Hr	5 Hr	10 Hr	20 Hr	100 Hr	120 Hr
1.85V	636	280.7	206.3	108.9	57.29	12.32	10.33
1.80V	669	288.9	211.1	111.5	58.69	12.62	10.58
1.75V	689	294.6	214.3	113.2	59.58	12.85	10.77
1.70V	704	298.2	216.1	114.1	60.05	12.91	10.82
1.65V	713	300.5	216.9	114.5	60.23	12.95	10.86

### Constant current discharge characteristics at 25 °C/77 °F Unit: A

F.V. (V/cell) \ Discharge Time	1 Hr	3 Hr	5 Hr	10 Hr	20 Hr	100 Hr	120 Hr
1.85V	107.2	47.01	34.55	18.22	9.587	2.112	1.728
1.80V	112.7	48.39	35.36	18.66	9.820	2.150	1.770
1.75V	116.1	49.35	35.89	18.94	9.970	2.157	1.802
1.70V	118.5	49.95	36.20	19.09	10.048	2.163	1.811
1.65V	119.9	50.34	36.32	19.15	10.079	2.168	1.817

All data and artworks shall be changed without prior notice, BB reserves the right to explain and update the information contained hereinto.